

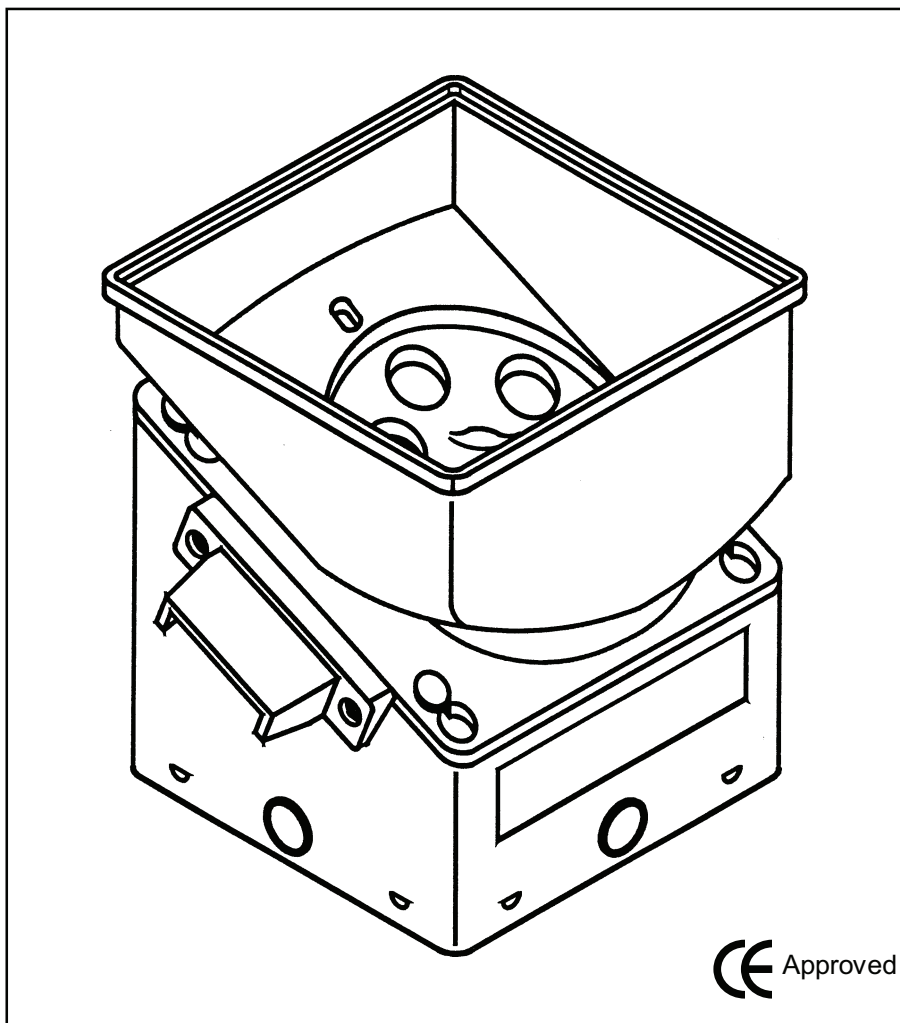
# CUBE HOPPER<sup>®</sup> MKII

## Instruction - Service Manual

Model 10-1700-XX

Version 3.2 / November 2001

A new design to solve most of your payout problems!



*SUZO*<sup>®</sup>

Serving the coin-machine industries since 1955