

BackLoad

bill validator

features

- Fixed-width bill validation (67mm or 71mm wide).
- Installs in an up, down or horizontal stacking configuration.
- Advanced self-calibrating sensor technology scans both sides of the bill simultaneously for fast, valid bill recognition.
- Patented "clamshell" design for easy, tool-free service access.
- Beltless transport system.
- Lockable-removable cassettes available in 400, 600 or 1000 bill capacity.
- Four-way bill validation.
- Switch selectable interfaces.

UP OR DOWN. HEIGHT-LIMITED OR DOOR-MOUNTED. VERTICAL OR HORIZONTAL. CASHCODE'S BACKLOAD BILL VALIDATORS OFFER THE MOST FLEXIBILITY OF ANY BILL VALIDATORS ON THE MARKET, FOR WHATEVER SPACE YOU HAVE AVAILABLE.

Versatility with every configurable option. Ideal for door-mounted applications, the BackLoad bill validator can be installed in an up or down stacking configuration. For height-restricted applications, our horizontal-stacking model is the perfect choice. Whichever configuration you choose, CashCode BackLoad bill validators are capable of handling environmental extremes, and are available with coated circuit boards for protection against "salting."

Single UNIT design. Choose your interface, stacking configuration and any combination of cassettes best suited to *your* application.

Advanced sensor technology. At CashCode, we believe acceptance is meaningless *without* validation. Our advanced optic sensors scan both sides of the bill while patented non-contact magnetic sensors detect magnetic properties. The result is maximized counterfeit detection and 96% or greater validation rates on first insertion.

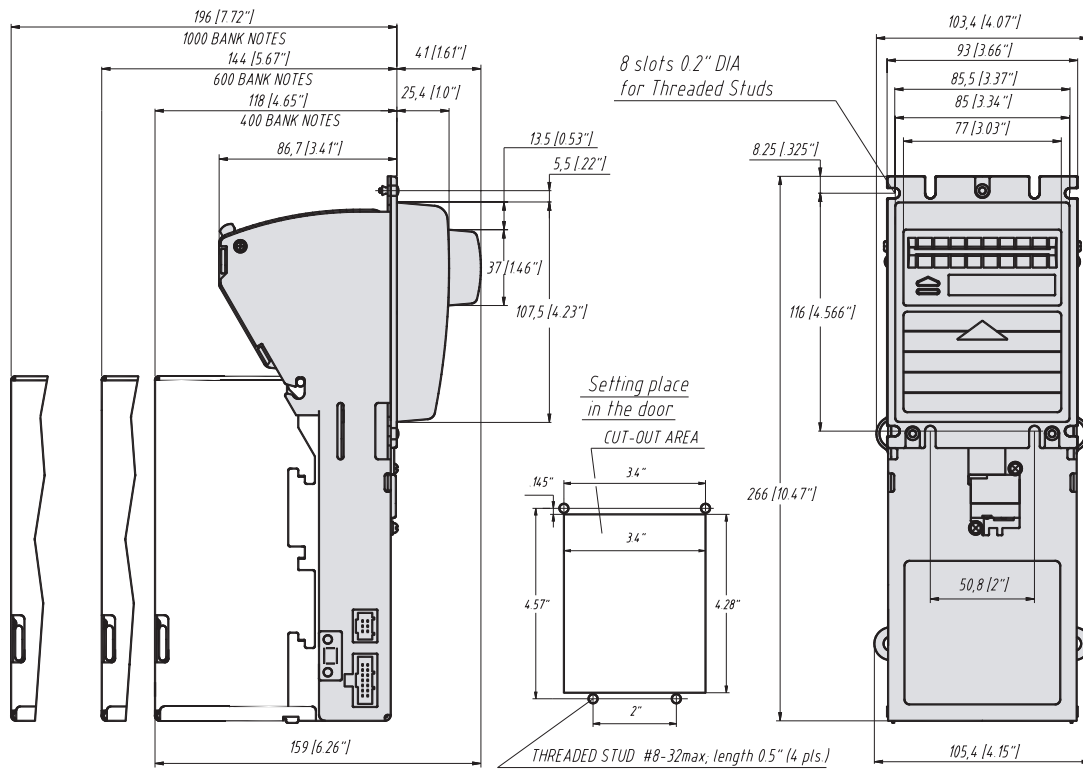
Switch selectable interfaces. With a flick of the switch, choose your interface: pulse, serial or bi-directional (RS232) on 12V models, and MDB, single price or HLL on 24V models.

Lockable-removable cassettes. Designed to protect your bottom-line, our high-security lockable-removable cassettes are sold separately and can be used with any BackLoad bill validator.

Low cost of ownership. CashCode's BackLoad bill validators feature a beltless roller-based transport system that gets rid of troublesome and costly belts. Our patented "clamshell" design easily pushes open for direct service access. Plus, self-calibrating sensors eliminate the need for optical adjustments and calibration papers.



BackLoad bill validator



specifications

Bill Width Validated	67 or 71mm wide (fixed-width)
Bill Insertion	Four-way
Validation Rate	96% or higher
Escrow	One bill
Sensors	Optical and patented magnetic
Bezel Options	high or low
Interfaces Supported	12V/H: pulse, serial, bi-directional (RS232) 24V: MDB, single price, HII
Program Memory	12V/H: EPROM or CPU / 24V: CPU
Operating Voltage	12V/H: 12V DC: 2.0 A / 24V: 24V DC: 1.0 A
Operating Temperature	12V/H: 0° C to 50° C / 24V: -18° C to 60° C
Validation M.T.B.F.	750,000 cycles
Complete Transport Cycle	3.0 sec
Dimensions (W x H x D)	104 x 266 x 87mm / H: 115 x 115 x 287.8mm
Weight	< 1.2 kg
Cassette Sizes Available	400, 600 or 1000 capacity
Cassette Options	Up to three custom locks
Optional	HRT bracket for Horizontal model
Approvals	CSA approved

12V: Standard 12V DC BackLoad bill validator; **24V:** 24V DC Vending option; **H:** 12V DC Horizontal model



Stacks up or down. Designed for maximum flexibility, the BackLoad bill validator can be installed in an up or down stacking configuration.



Patented non-contact magnetic sensors detect inherent magnetic properties in bills without touching the bill surface.



The Horizontal model's optional horizontal-retractable-telescopic (HRT) bracket pivots to improve access ease in tight-fit applications.



Patented "clamshell" design. With just a single push of a button, service access to the bill path is easy and never requires tools.



Beltless transport system. Patented roller-based design lowers maintenance costs by eliminating troublesome and costly belts.



CashCode's single UNIT design gives you complete flexibility in selecting interfaces, cassettes, locks and stacking configurations.



CashCode Company, Inc. 553 Basaltic Rd., Concord, ON Canada L4K 4W8 www.cashcode.com
toll-free (800) 584-2633 phone (905) 303-8874 fax (905) 303-8875 e-mail sales@cashcode.com